

D-Sub Connector Straight Type

■ MATERIAL

Insulator : Polyester
Contact Pin : Copper Alloy

■ SPECIFICATION

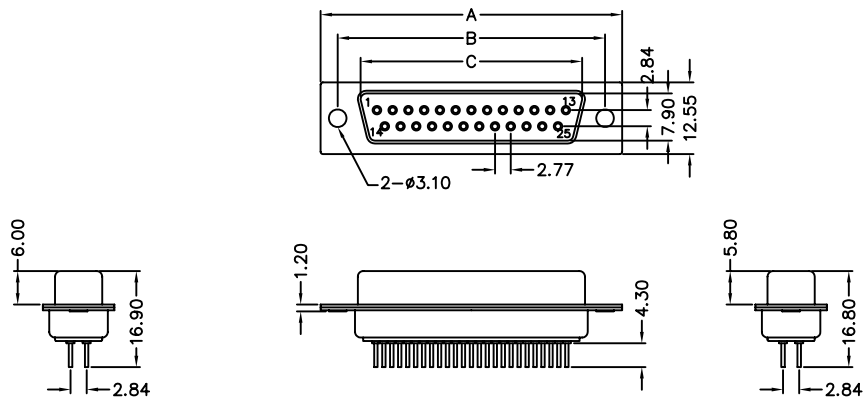
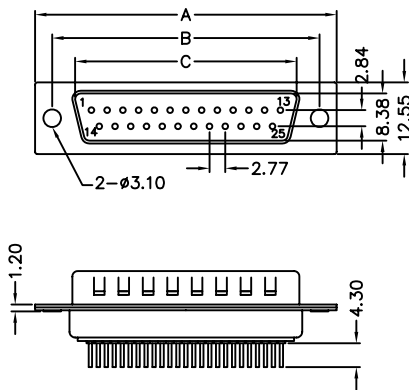
Current Rate : 1 AMP
Insulation Resistance : 1000MΩMin. at DC 500V
Contact Resistance : 30mΩMax. at DC 100mA
Operation Temperature : -55°C to +105°C



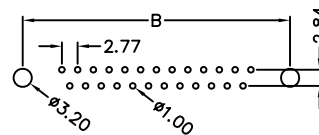
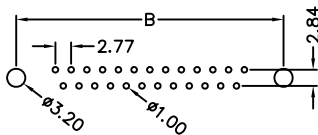
■ Detail Dimensions

982-21-Axxx05

982-21-Bxxx05



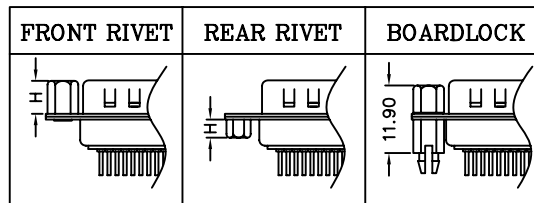
■ Recommended P.C.B Layout



■ Order Information

982-21- x xx x x 5
 1 2 3 4

1. A: Male
 B: Female
2. No. of contacts
3. 0: Black Insulator
 2: White Insulator
4. 0: None Accessories
 1: Front rivet #4-40 H=4.0mm
 3: Rear rivet #4-40 H=4.0mm



Standard Parts
982-21-Axxx05
982-21-Bxxx05

- 5: Rear rivet Boardlock #4-40
- 6: Rear rivet Boardlock #4-40 with screw inserted
- 7: Rear rivet #4-40 H=5.8mm with screw inserted
- 8: Rear rivet #4-40 H=5.8mm

■ Number Of Contacts

Unit: mm

Poles	DIM A	DIM B	DIM C		Poles	DIM A	DIM B	DIM C					
9	30.81	24.99	16.92		9	30.81	24.99	16.33					
15	39.25	33.32	25.25		15	39.25	33.32	24.66					
25	53.04	47.04	38.96		25	53.04	47.04	38.38					
37	69.50	63.50	55.42		37	69.50	63.50	54.84					